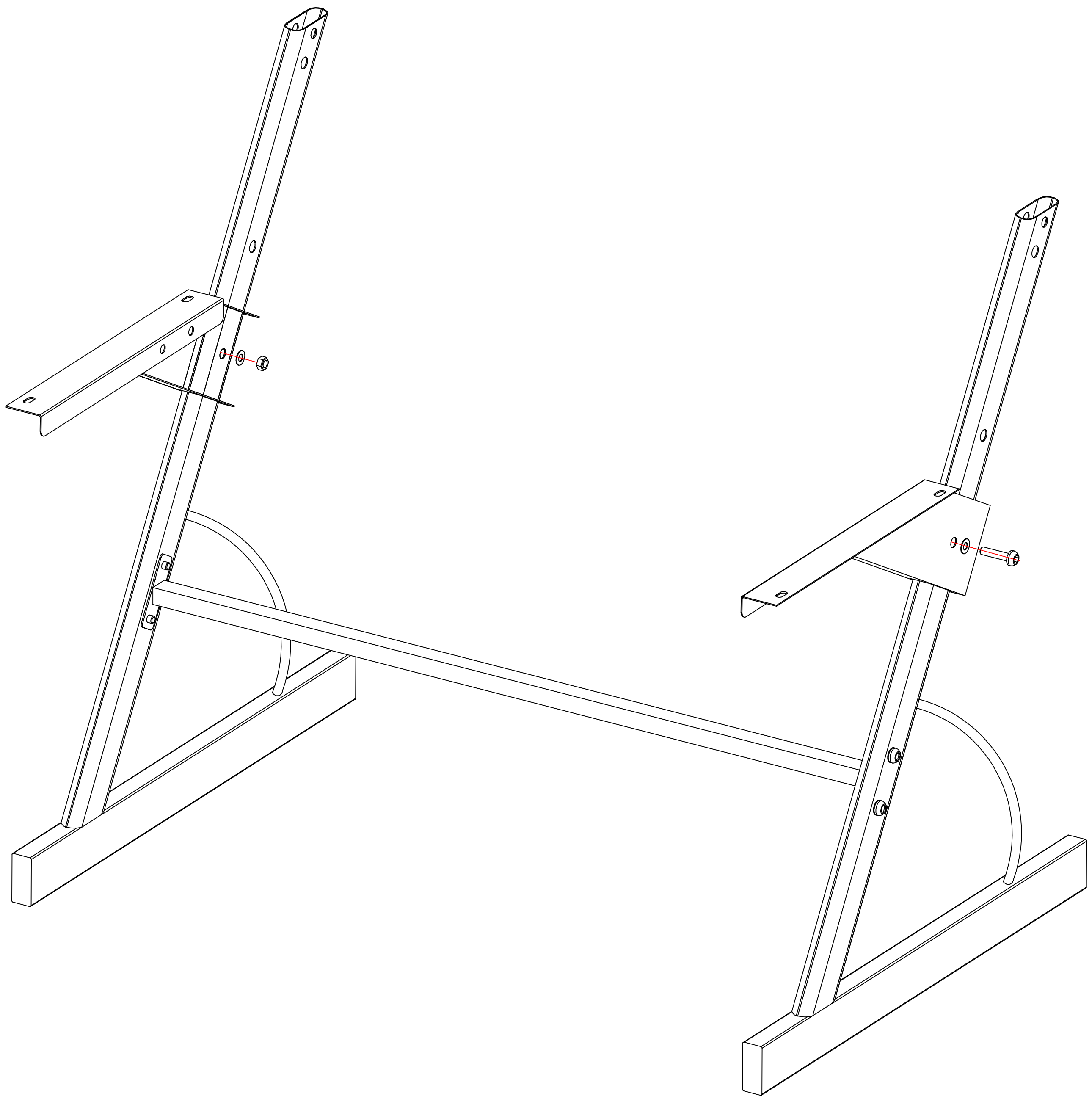
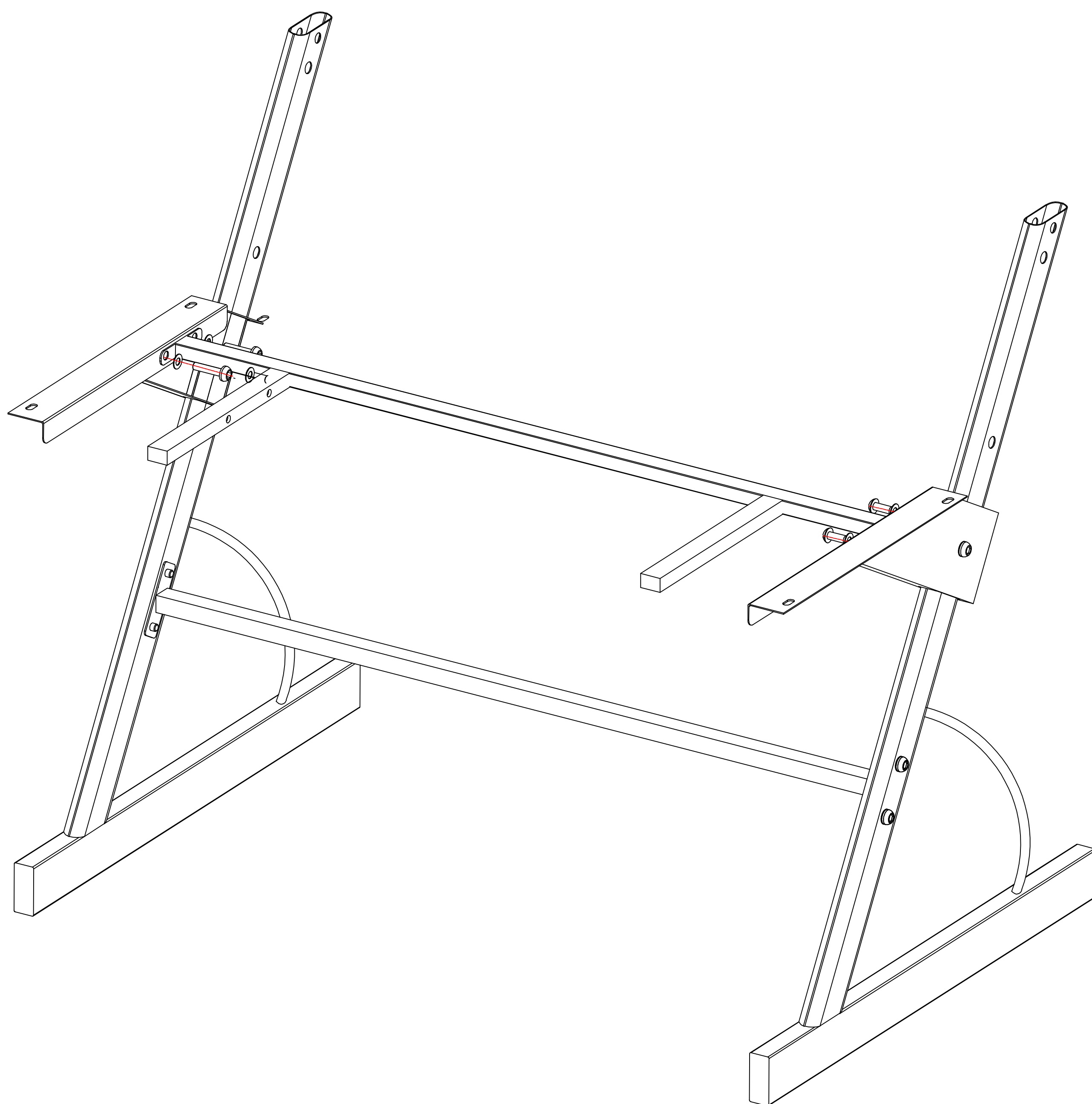


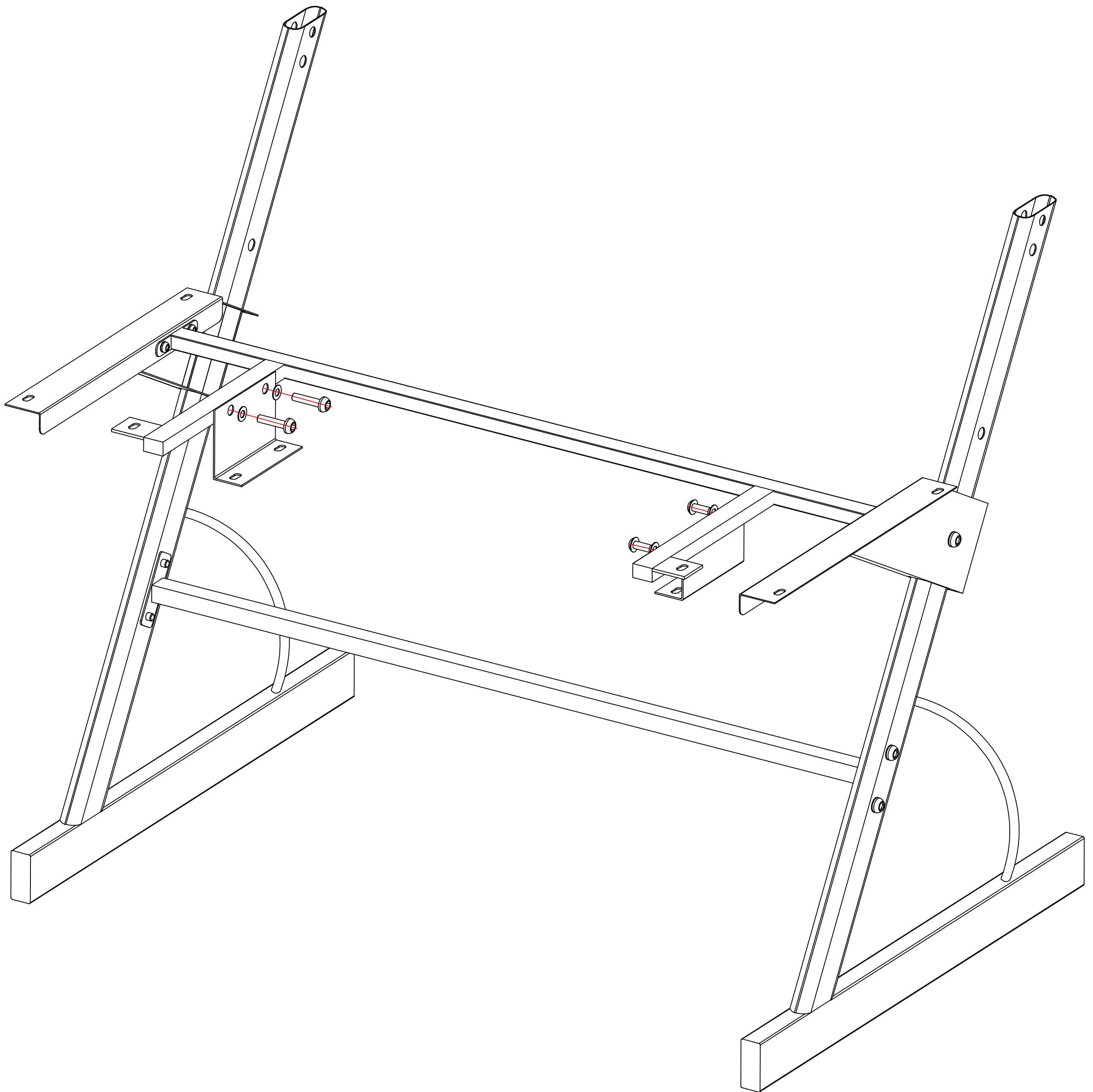
**1. Attach two main legs together with bottom cross-support bar.**



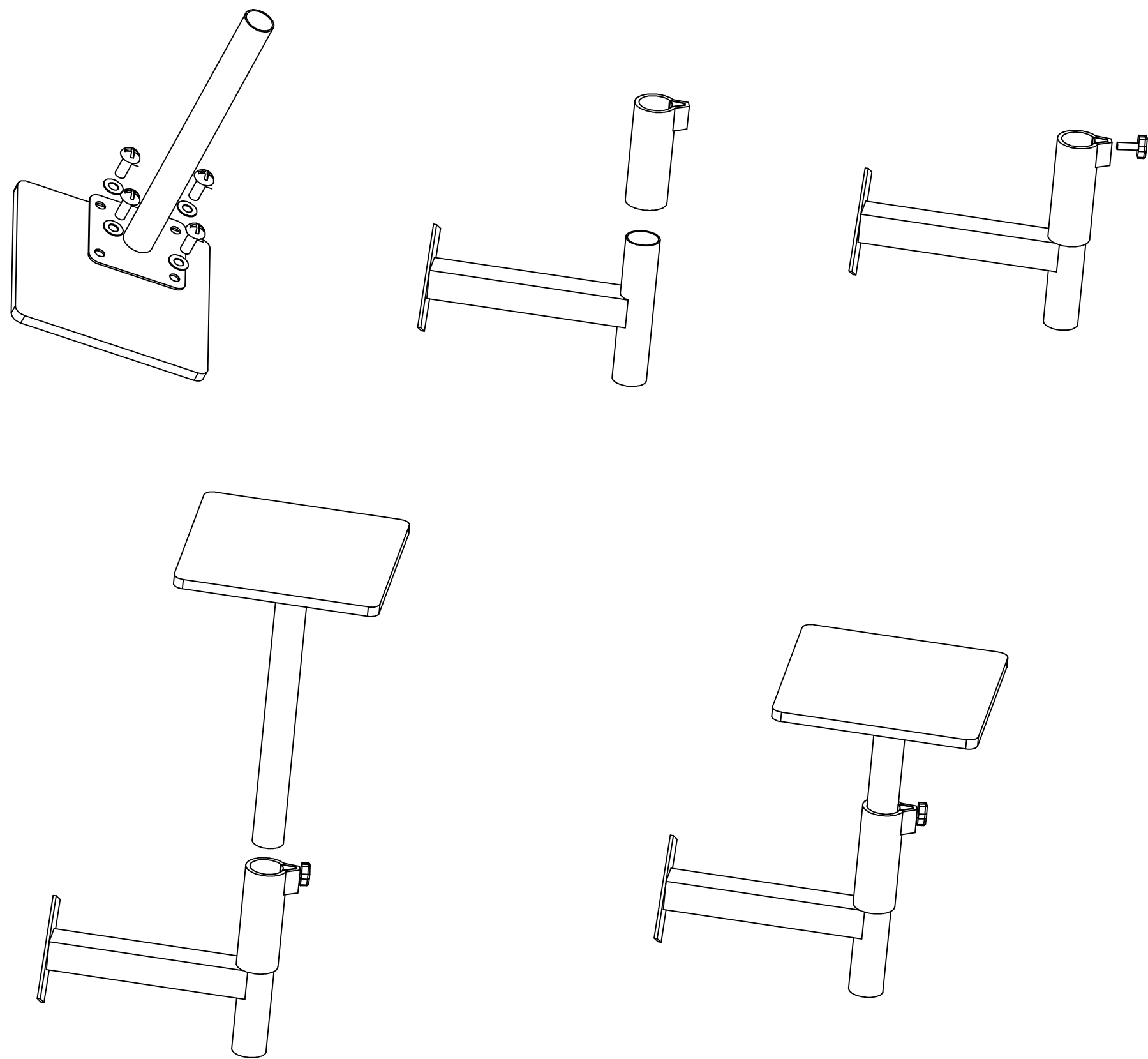
**2. Assemble two main shelf supports on to legs as shown and tighten the bolts.**



**3. Connecting the main shelf cross bracket as the above picture and tighten the screws**

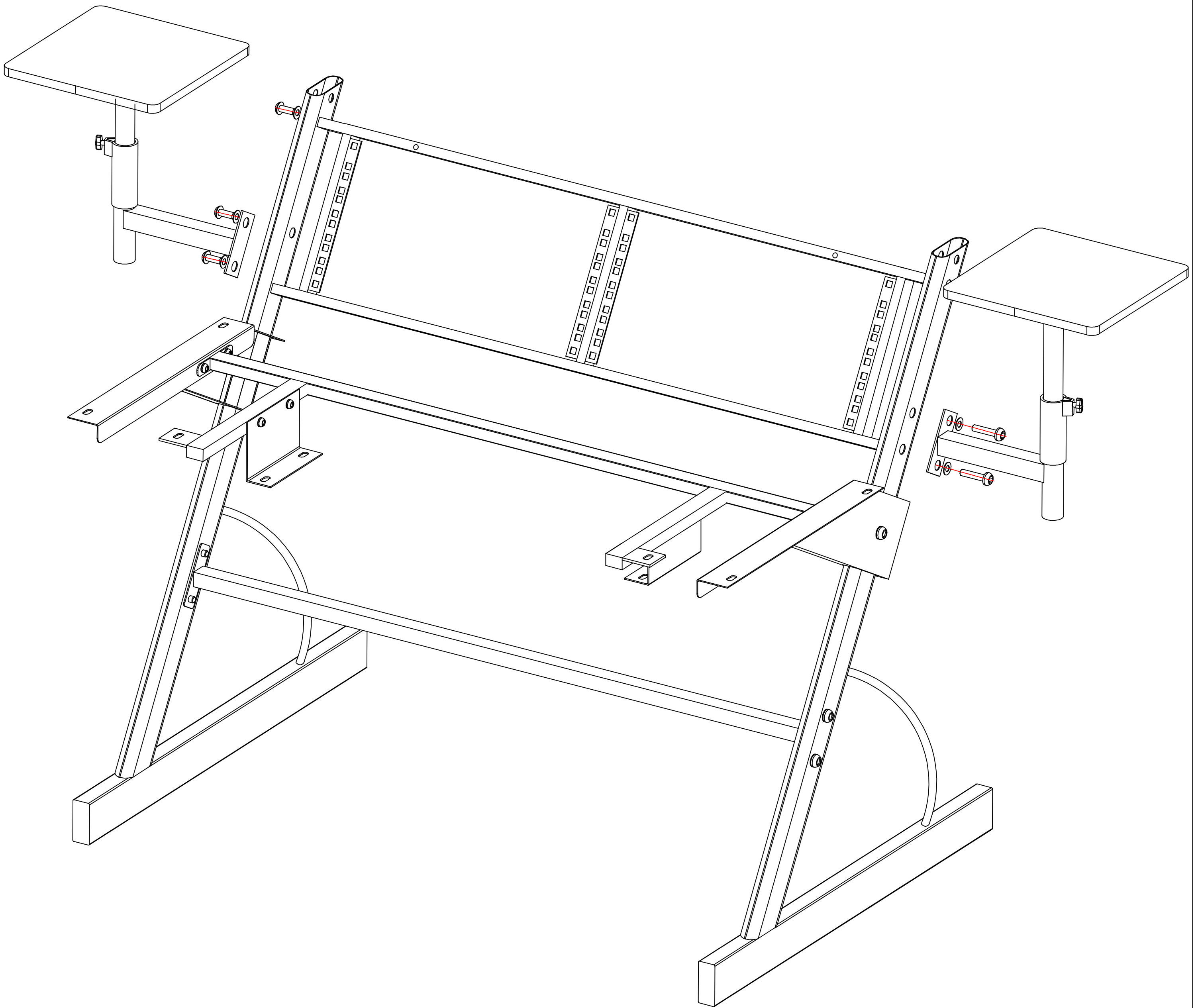


**4. Put two keyboard shelf brackets on and tighten the screws as the picture showed.**

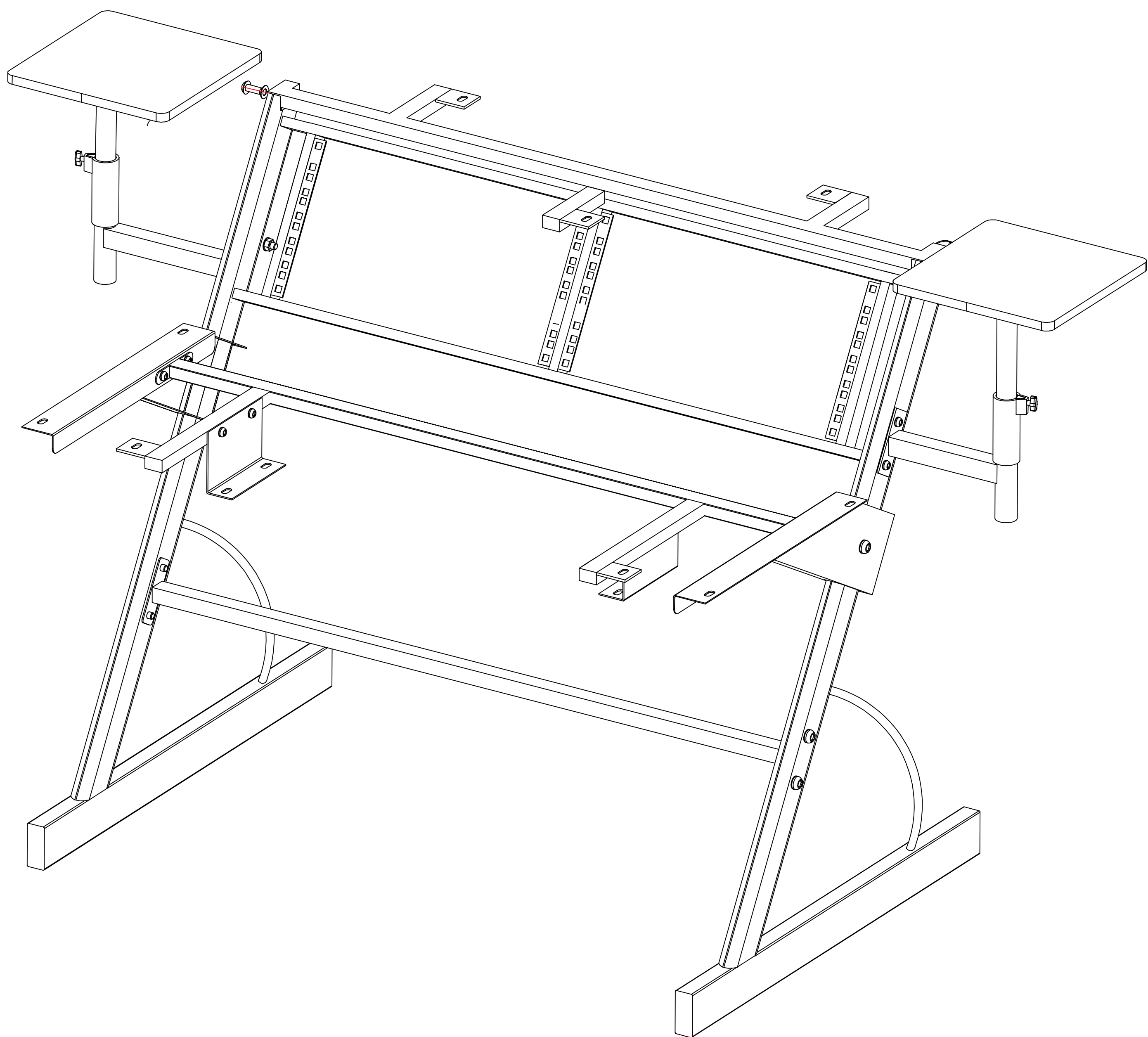


**5. Assemble monitor support wings as shown in illustrations.**

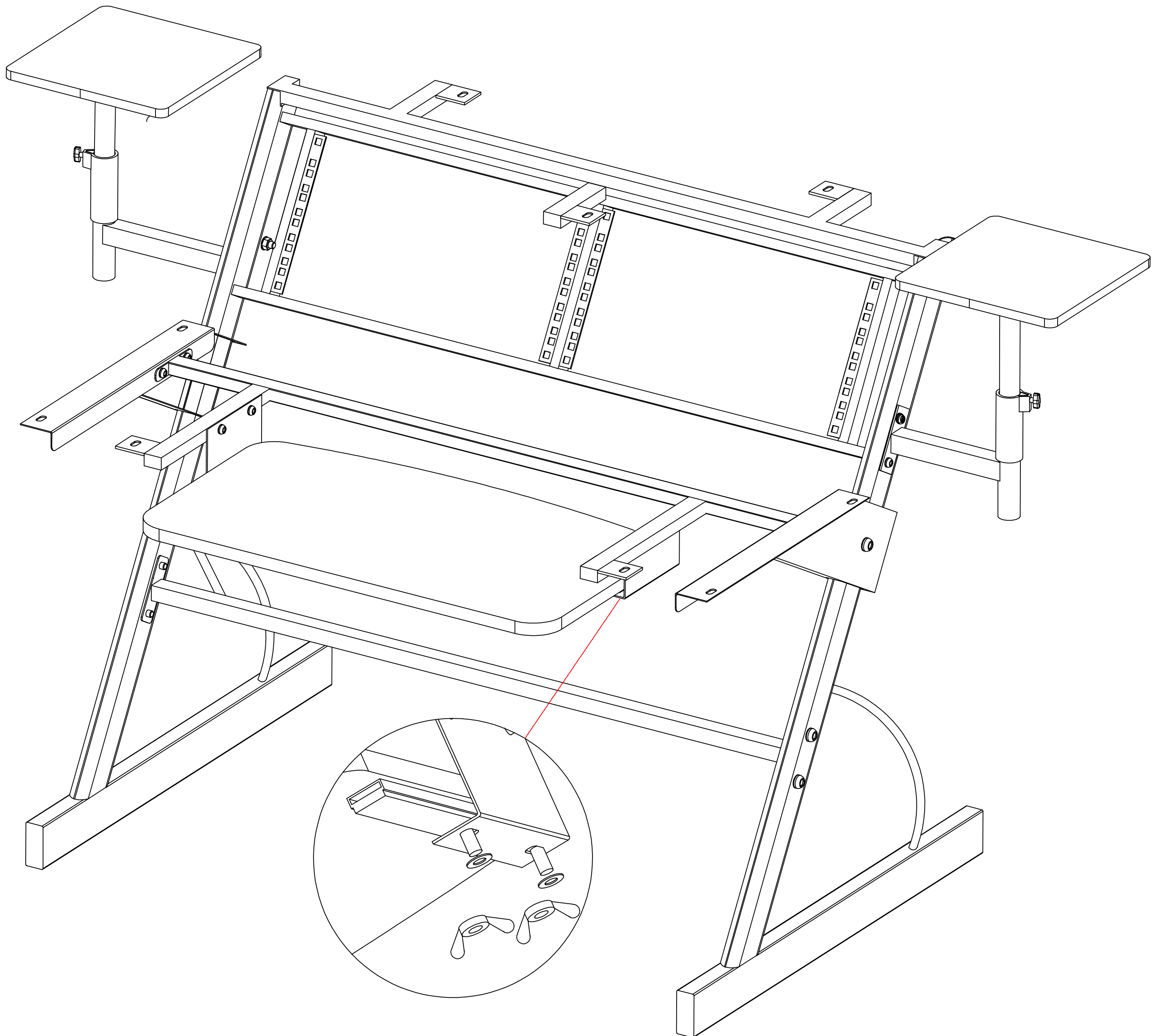




6. Connect the equipment rack as the above picture and tighten the screws, and mount monitor wings on to main desk supports in holes shown and tighten bolts firmly.

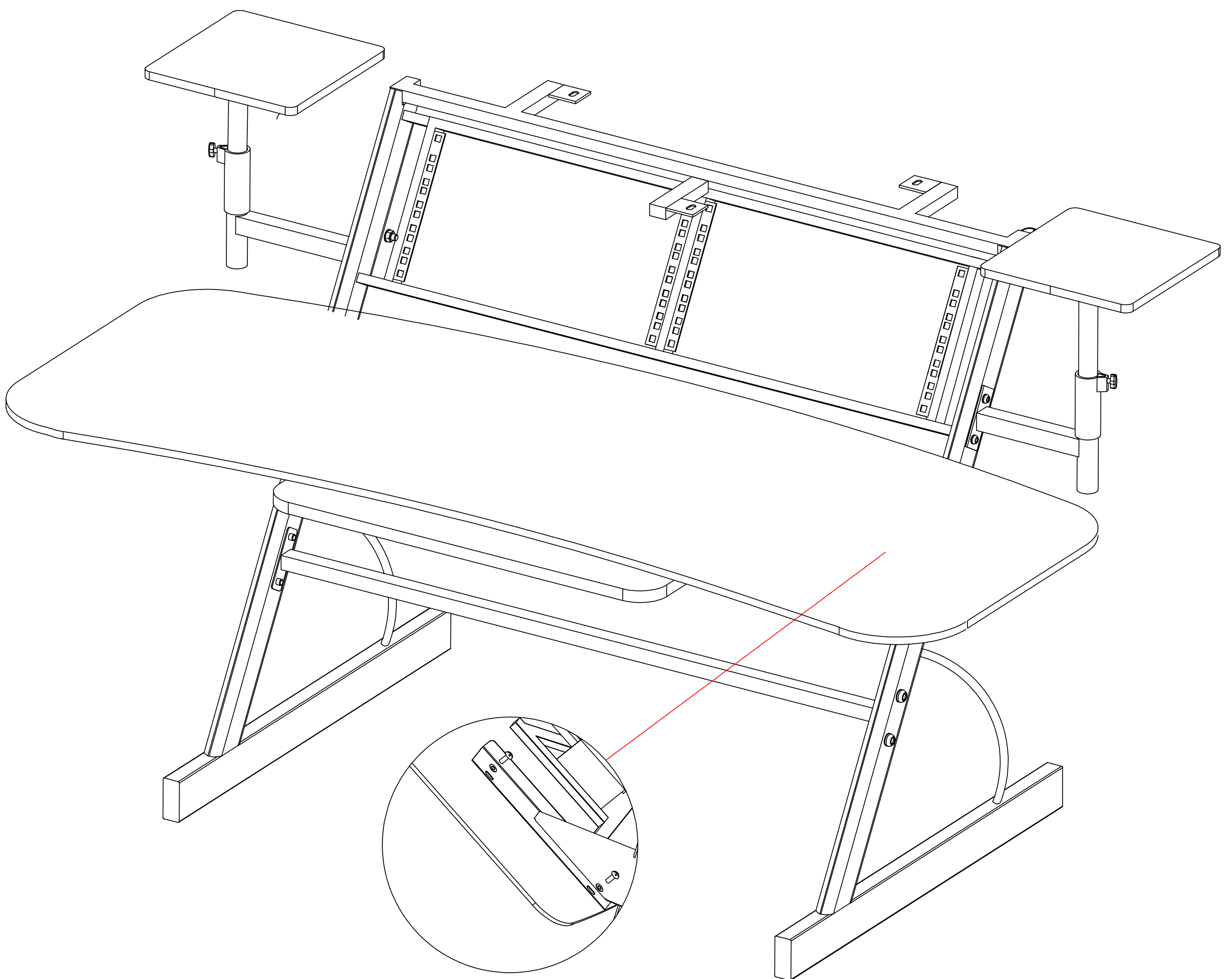


**7. Connect the top shelf bracket on the stand as the above picture.**

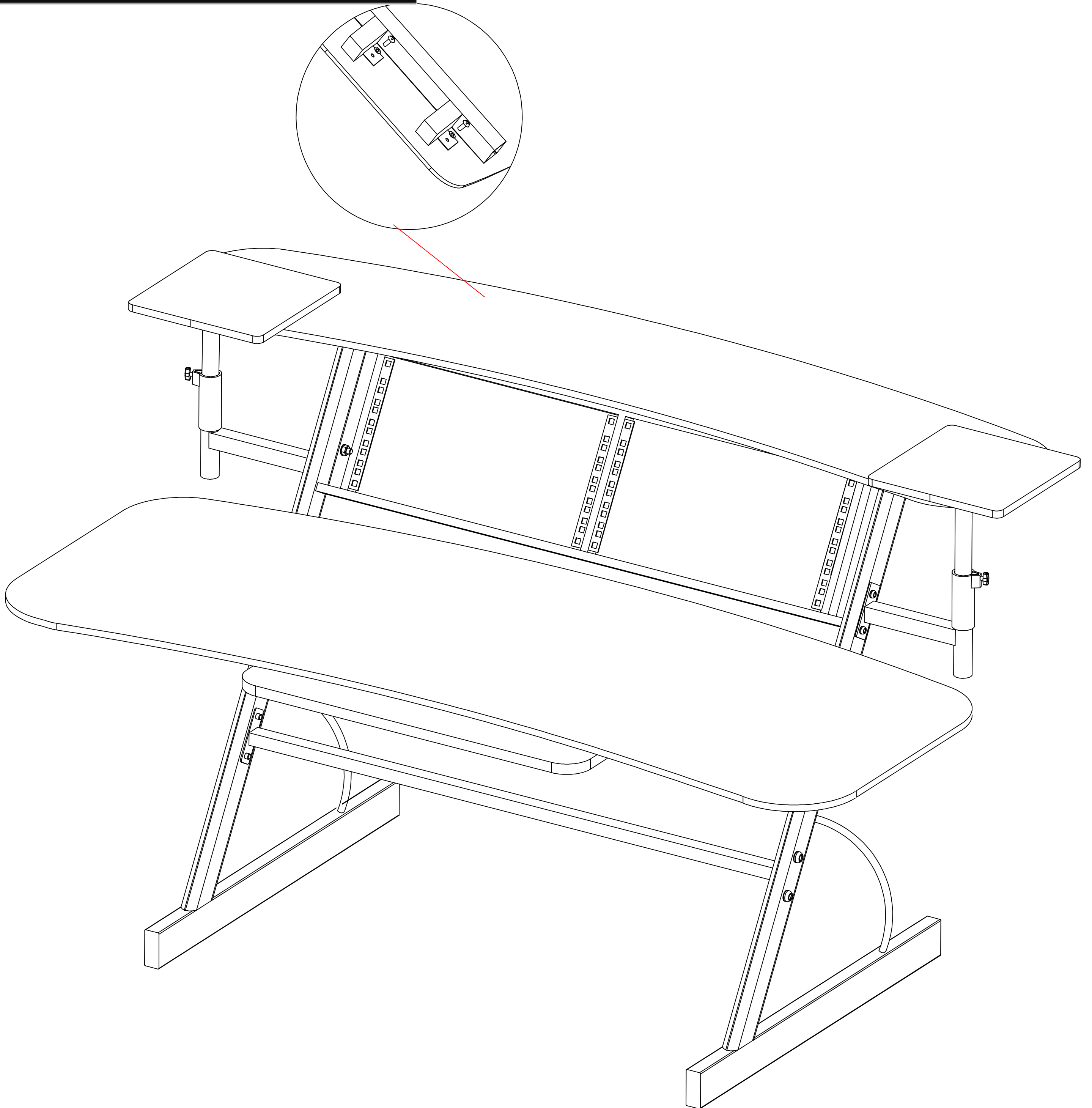


8. Place the keyboard shelf on the keyboard shelf brackets and bolt in place, tightening nuts until desired shelf pull-out tension is achieved.





**9. Center shelves on support brackets and at desired depth and mount in place with provided wood screws.  
Attach the steel rack shelf as shown and tightened bolts.**



**10. Center shelves on support brackets and at desired depth and mount in place with provided wood screws.**